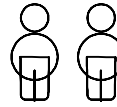
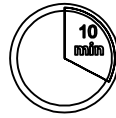


HINTS & TIPS



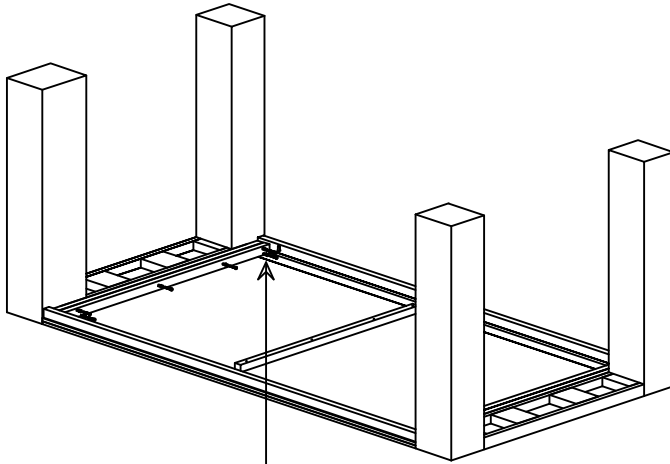
Please retain your assembly instruction for future use



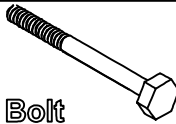
This assembly requires two people


PRODUCT ASSEMBLY - Step by step guide

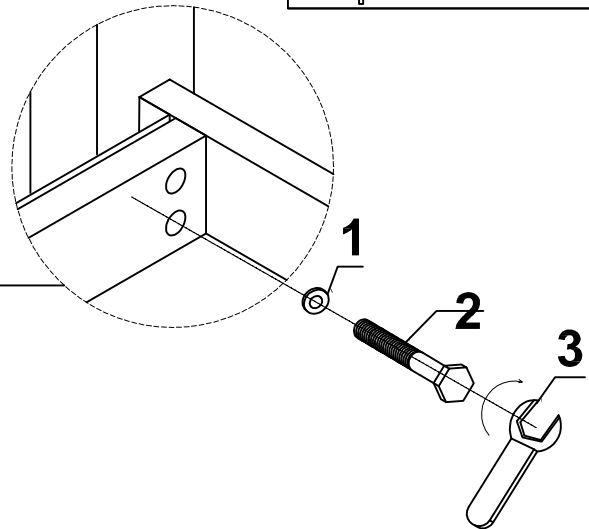
Step 1



01  x12  
Washer

02  x12  
Bolt

03  x1  
Spanner



Step 2

Assembled

