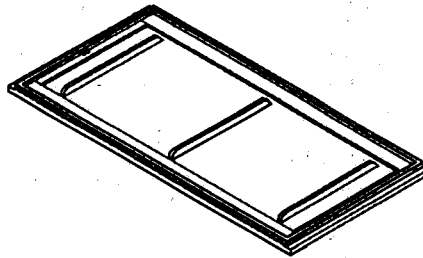
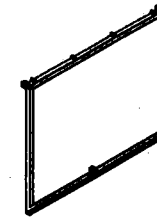


| No | Name of Hardware | Q.ty |
|----|-----------------------|------|
| ① | Washers Ø8/ Ø15 x 1.5 | 12 |
| ② | Washers Ø5/ Ø10 x 1.5 | 8 |
| ③ | Nut M8 | 12 |
| ④ | Bolts M6 x 15 | 2 |
| ⑤ | Bolts M6 x 40 | 2 |
| ⑥ | Screw (4 x 40) | 8 |
| ⑦ | Wrench 10 | 1 |
| ⑧ | Wrench 13 | 1 |



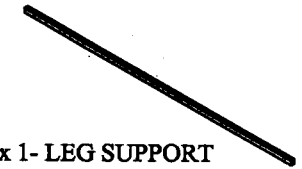
A x 1 -TOP OF TABLE



B x 2- LEG OF TABLE
RIGHT and LEFT

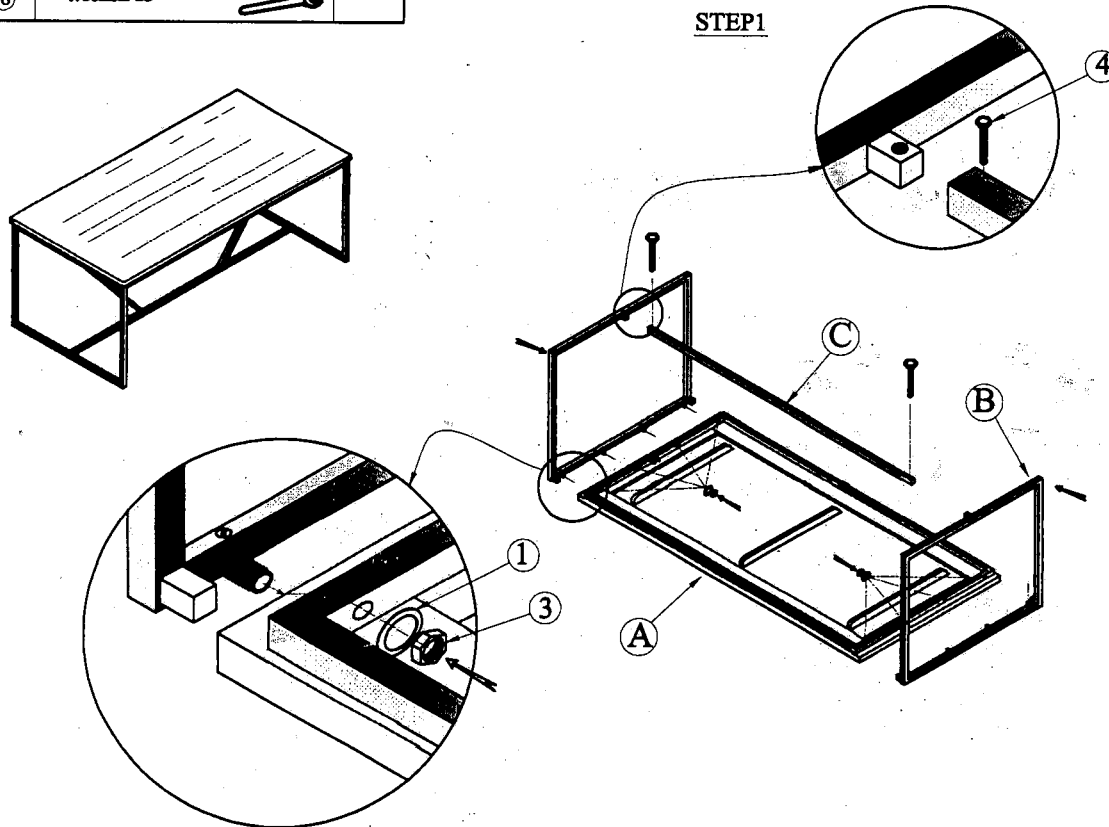


D x 2- LEG SUPPORT



C x 1- LEG SUPPORT

STEP1



STEP2

