


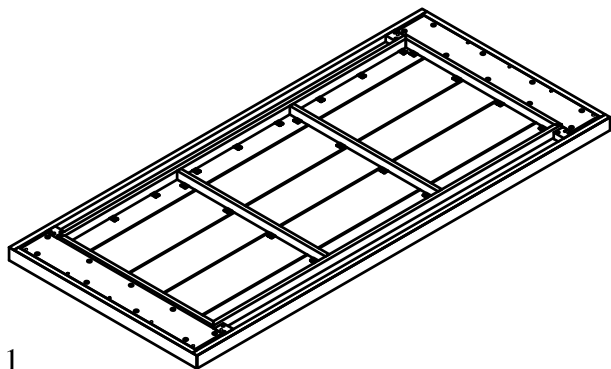
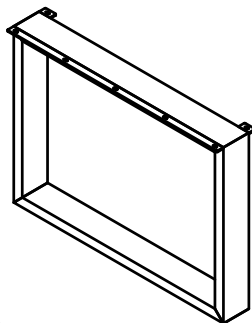




NO.	HARDWARE LIST	QTY
1	Bolts M6*30 	14 PCS
2	Flat Washer Ø8/19x1.5 	14 PCS
3	Allen key K4x25x90 	1 PC



Ⓐ x 1



Ⓑ x 2

