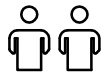
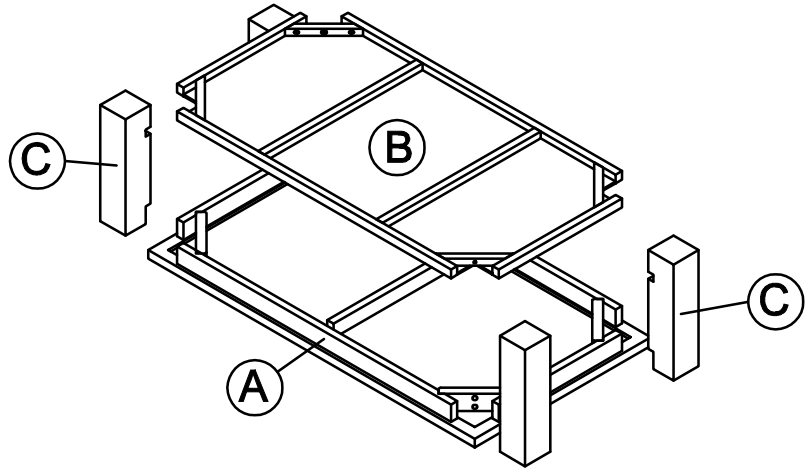




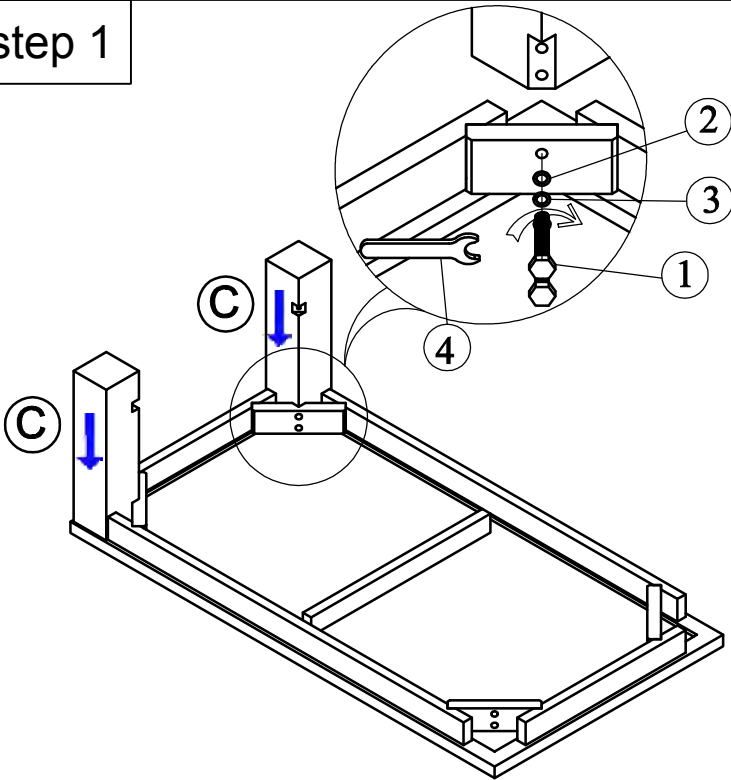
15 MN



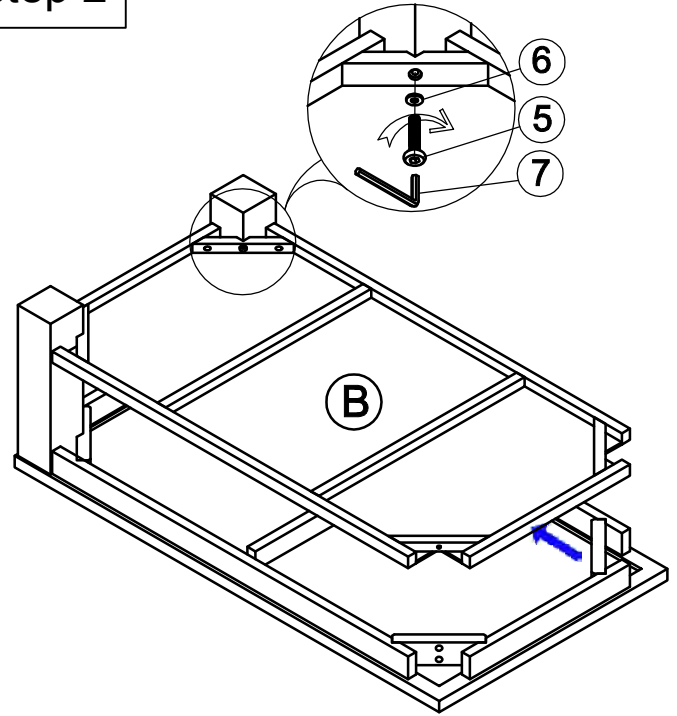
| | | | |
|---|--|----------|----|
| 1 | | M10x60mm | 08 |
| 2 | | Ø10x23mm | 08 |
| 3 | | Ø10mm | 08 |
| 4 | | Ø10x50mm | 01 |
| 5 | | M6x40mm | 04 |
| 6 | | Ø6x13mm | 04 |
| 7 | | M4 | 02 |



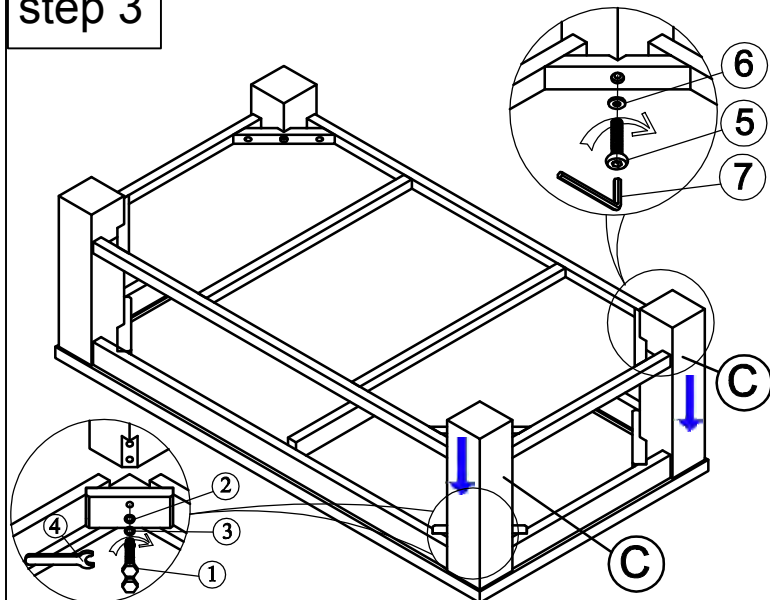
step 1



step 2



step 3



step 4

