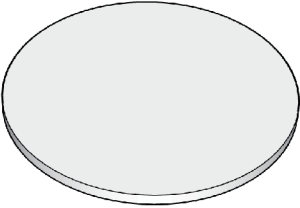
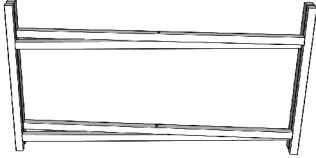
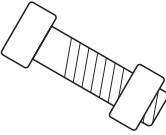
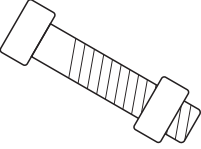


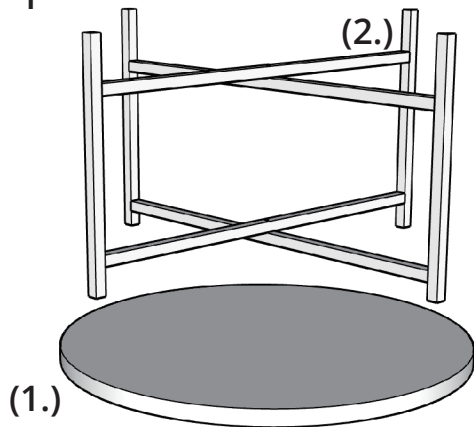
## Montagehandleiding salontafel CARAVELLI BW - DIA. 80/60 X H. 43/37 CM

### LIST OF PART COMPONENT

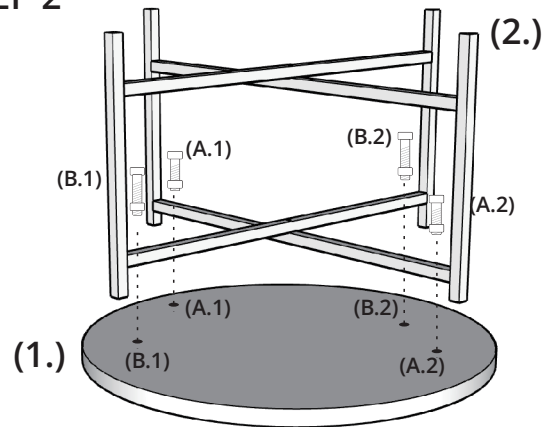
 <p><b>1. TOP TABLE</b> ( 1 SETS )</p>	 <p><b>2. LEGS</b> ( 1 SETS )</p>	 <p><b>A. SHORT SCREW - CODE A</b> ( 4 PCS )</p>	 <p><b>B. LONG SCREW - CODE B</b> ( 4 PCS )</p>
--	--	--	--

### ASSEMBLY STEPS :

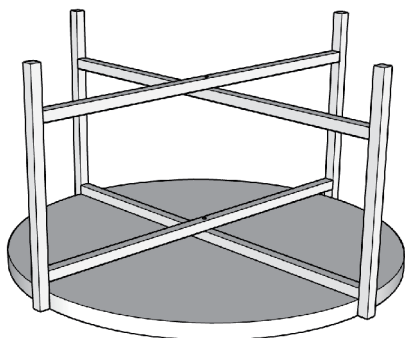
**STEP 1**



**STEP 2**



**STEP 3**



**STEP 4 - FINISH ASSEMBLY**

