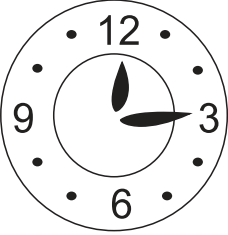

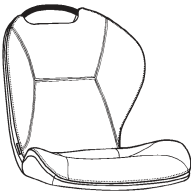

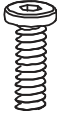



# ASSEMBLY INSTRUCTION

	A x1 	B x1 	C x4  6*16*1.5mm	D x4  M6*35	E x1  M5
---	---	---	---	--	---

