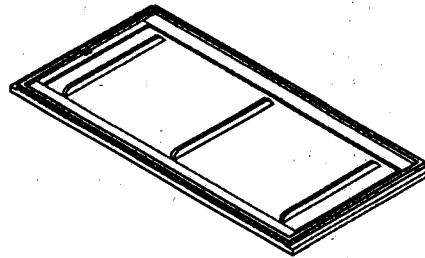
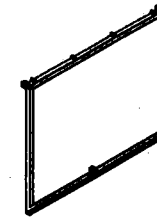


No	Name of Hardware	Q.ty
①	Washers Ø8/ Ø15 x 1.5	12
②	Washers Ø5/ Ø10 x 1.5	8
③	Nut M8	12
④	Bolts M6 x 15	2
⑤	Bolts M6 x 40	2
⑥	Screw (4 x 40)	8
⑦	Wrench 10	1
⑧	Wrench 13	1



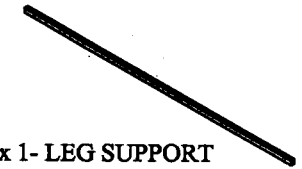
A x 1 - TOP OF TABLE



B x 2- LEG OF TABLE  
RIGHT and LEFT

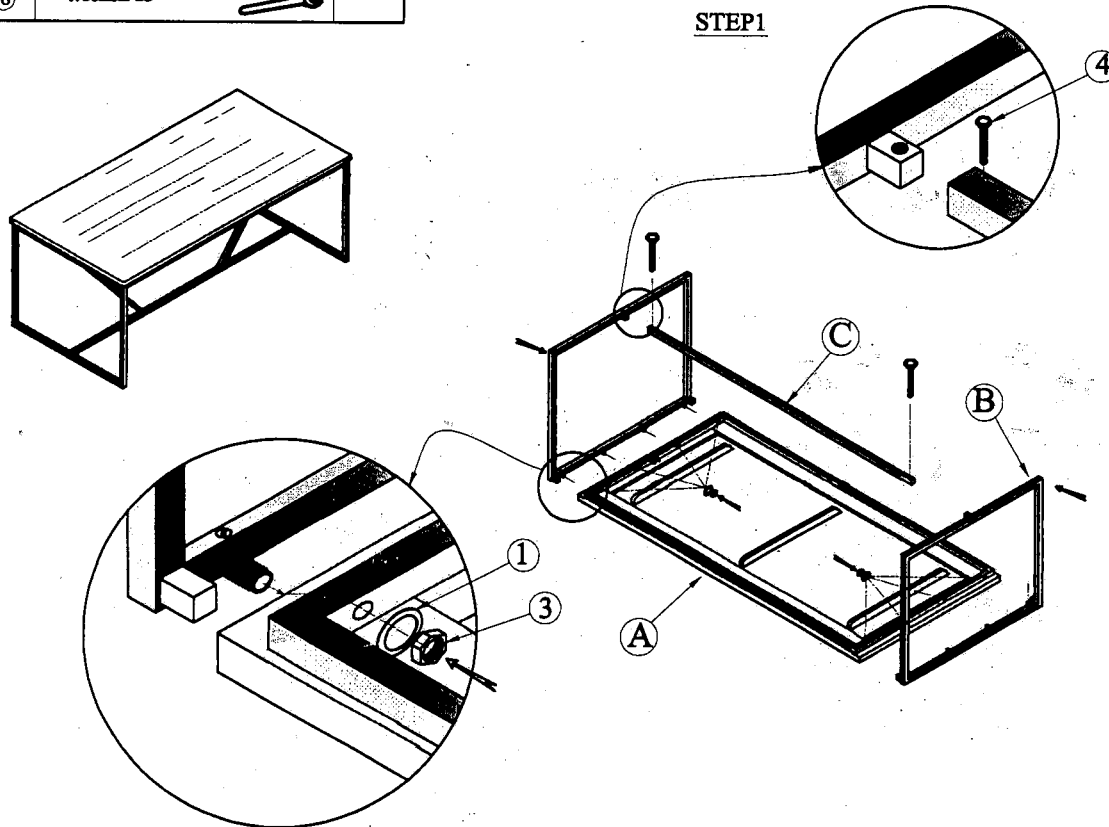


D x 2- LEG SUPPORT



C x 1- LEG SUPPORT

**STEP1**



**STEP2**

