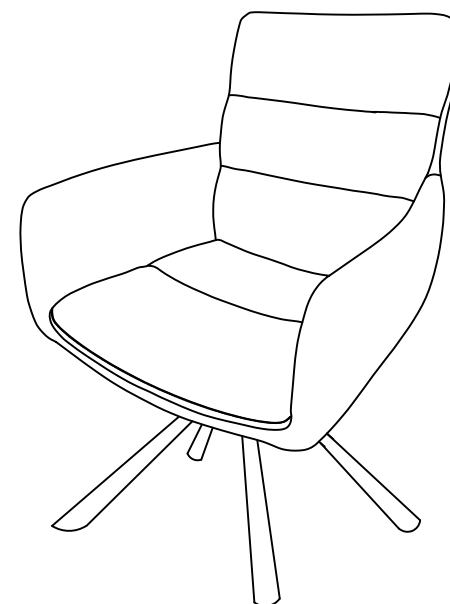
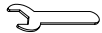






**STEP1**



**STEP2**

|   |   |            |   |
|---|---|------------|---|
| A |  | 10#        | 1 |
| B |  | 4#         | 1 |
| C |  | M6*16      | 4 |
| D |  | Ø17*Ø6*1.5 | 8 |
| E |  | M6         | 4 |