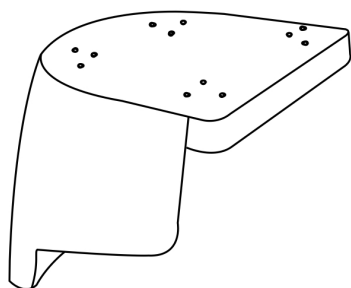


ASSEMBLY INSTRUCTION

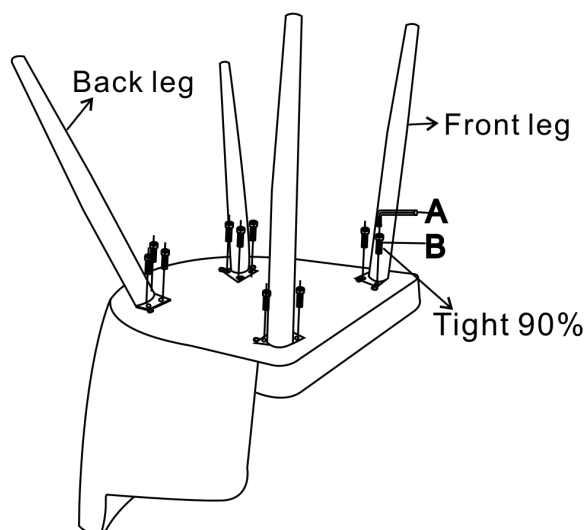
	A	X1	B	X12	C	X1	D	X2	E	X2
				6*14mm						
							Front leg		Back leg	

STEP1



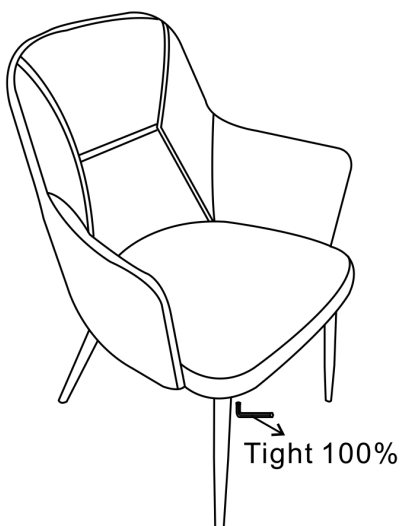
STEP2

Tighten the screws just **90%**



STEP3 *

Place the chair on a flat surface
Make sure the chair is stable
Tighten the screws to **100%**



STEP4

