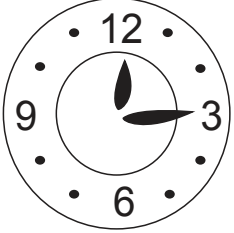
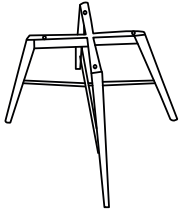
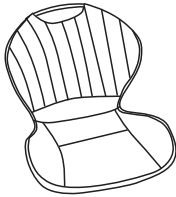

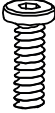

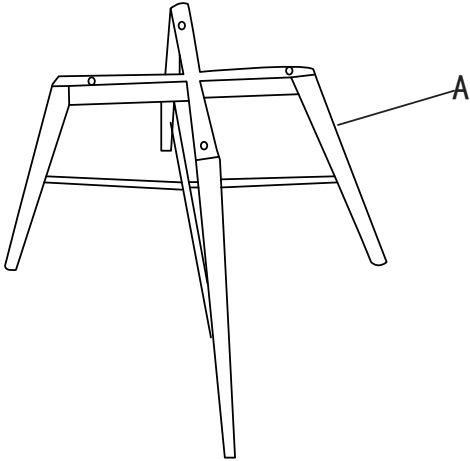
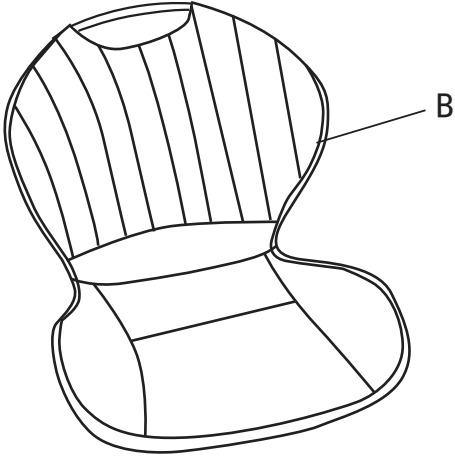
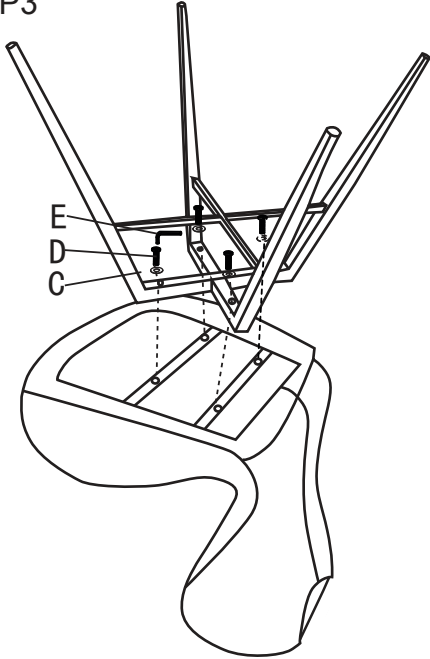


# ASSEMBLY INSTRUCTION

	<p>A x1</p> 	<p>B x1</p> 	<p>C x4</p>  <p>6*16*1.5mm</p>	<p>D x4</p>  <p>M6*35</p>	<p>E x1</p>  <p>M5</p>
<p>STEP1</p> 	<p>STEP2</p> 				
<p>STEP3</p> 	<p>STEP4</p> 