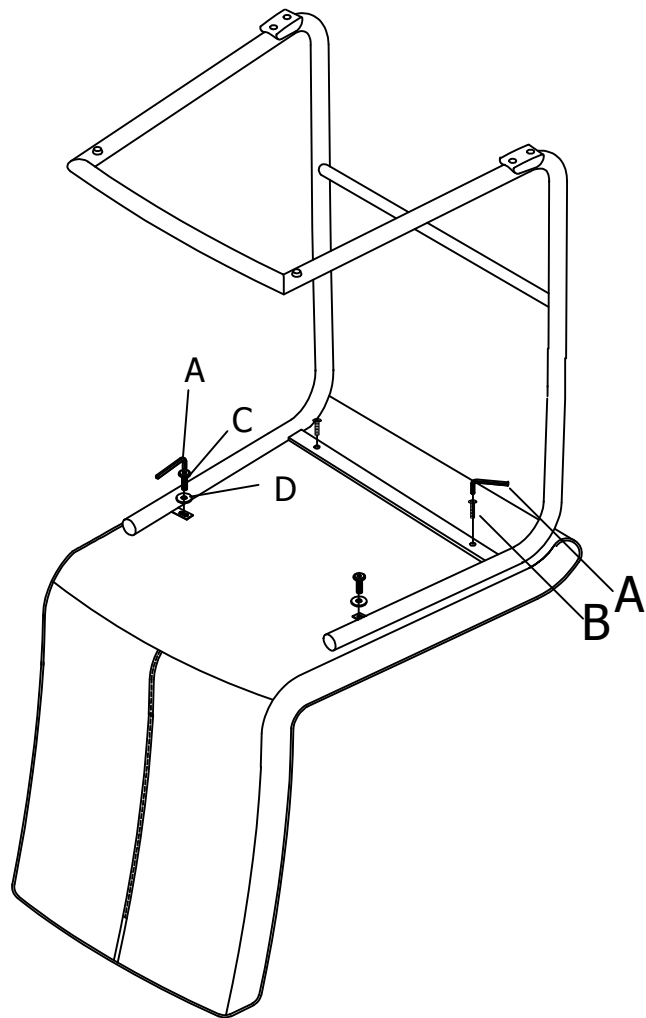
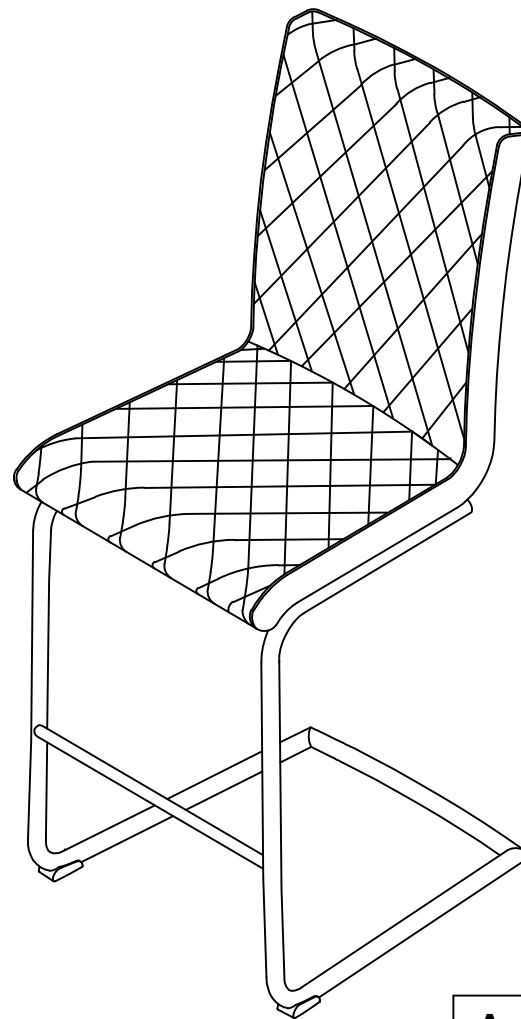


Pronto


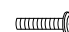


FUCINI B1008
wonen



STEP1



STEP2

A		4#	1
B		M6*20	2
C		M6*16	2
D		∅17*∅6*1.5	2