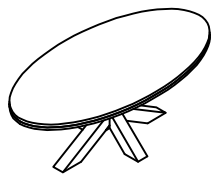




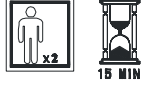
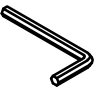
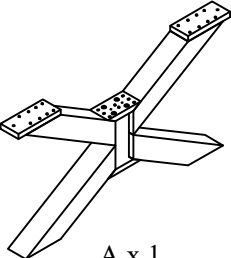
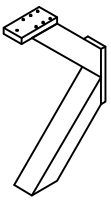
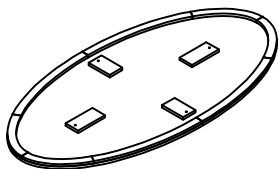
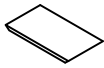


# Pronto wonen

Model Robusto  
Montagehandleiding Eettafel ovaal met spinpoot

|                                                                                                    |                                                                                                            |                                                                                                       |                                                                                                           |                                                                                                           |
|----------------------------------------------------------------------------------------------------|------------------------------------------------------------------------------------------------------------|-------------------------------------------------------------------------------------------------------|-----------------------------------------------------------------------------------------------------------|-----------------------------------------------------------------------------------------------------------|
| <p>ROBUSTO-N</p>  | <p>1. (M6 x 35) x 12</p>  | <p>2. (Ø6) x 12</p>  | <p>3. (Ø6x14) x 8</p>  | <p>4. (Ø6x19) x 4</p>  |
|----------------------------------------------------------------------------------------------------|------------------------------------------------------------------------------------------------------------|-------------------------------------------------------------------------------------------------------|-----------------------------------------------------------------------------------------------------------|-----------------------------------------------------------------------------------------------------------|

|                                                                                                                                                                                       |                                                                                                |                                                                                                |                                                                                                  |                                                                                                  |
|---------------------------------------------------------------------------------------------------------------------------------------------------------------------------------------|------------------------------------------------------------------------------------------------|------------------------------------------------------------------------------------------------|--------------------------------------------------------------------------------------------------|--------------------------------------------------------------------------------------------------|
|   <p>5. (K4) x 1</p> |  <p>A x 1</p> |  <p>B x 2</p> |  <p>C x 1</p> |  <p>D x 1</p> |
|---------------------------------------------------------------------------------------------------------------------------------------------------------------------------------------|------------------------------------------------------------------------------------------------|------------------------------------------------------------------------------------------------|--------------------------------------------------------------------------------------------------|--------------------------------------------------------------------------------------------------|

