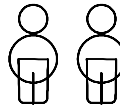
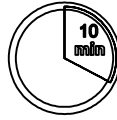


HINTS & TIPS



Please retain your assembly instruction for future use

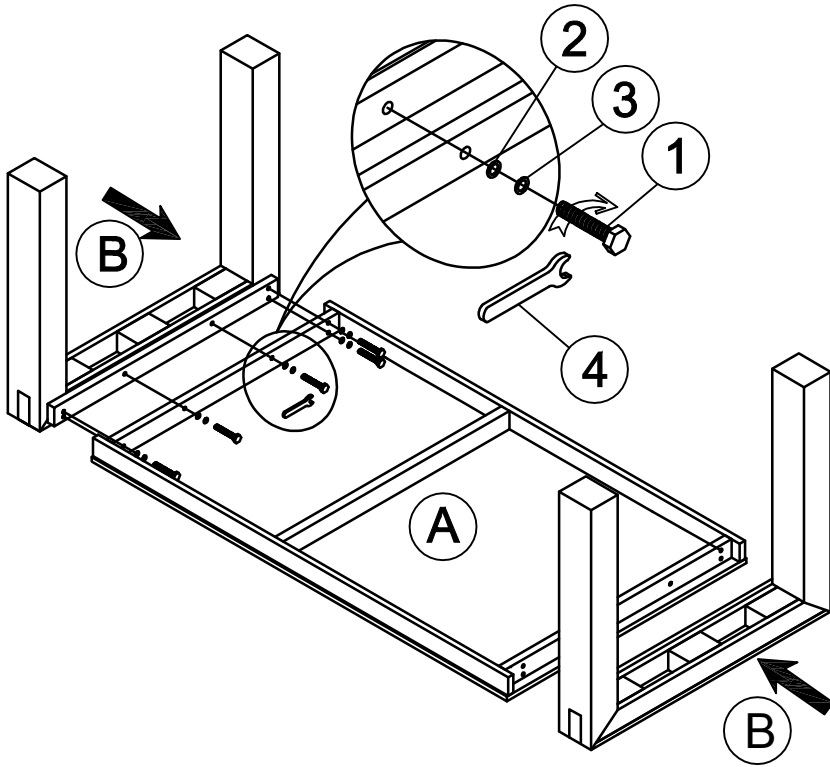


This assembly requires two people

PRODUCT ASSEMBLY - Step by step guide

Step 1

1		M10x60mm	12
2		Ø10x23mm	12
3		Ø10mm	12
4		Ø10x50mm	01



Step 2

Assembled

