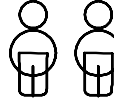


HINTS & TIPS



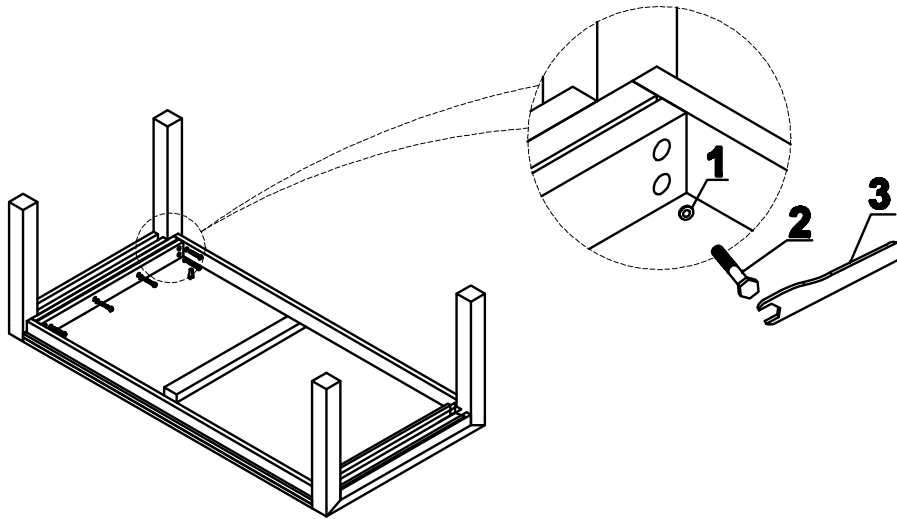
Please retain your assembly instruction for future use



This assembly requires two people

PRODUCT ASSEMBLY - Step by step guide

Step
1



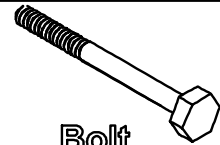
01



X 12

Washer

02



X 12

Bolt

03



x1

Spanner

Step
2

