







10 MN



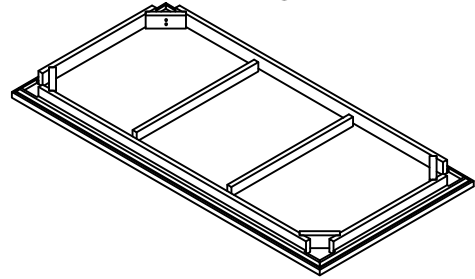
| | | | |
|---|---|---------|----|
| 1 |  | 10x60mm | 08 |
| 2 |  | Ø10mm | 08 |
| 3 |  | Ø10mm | 08 |
| 4 |  | 10x50mm | 01 |

(B)



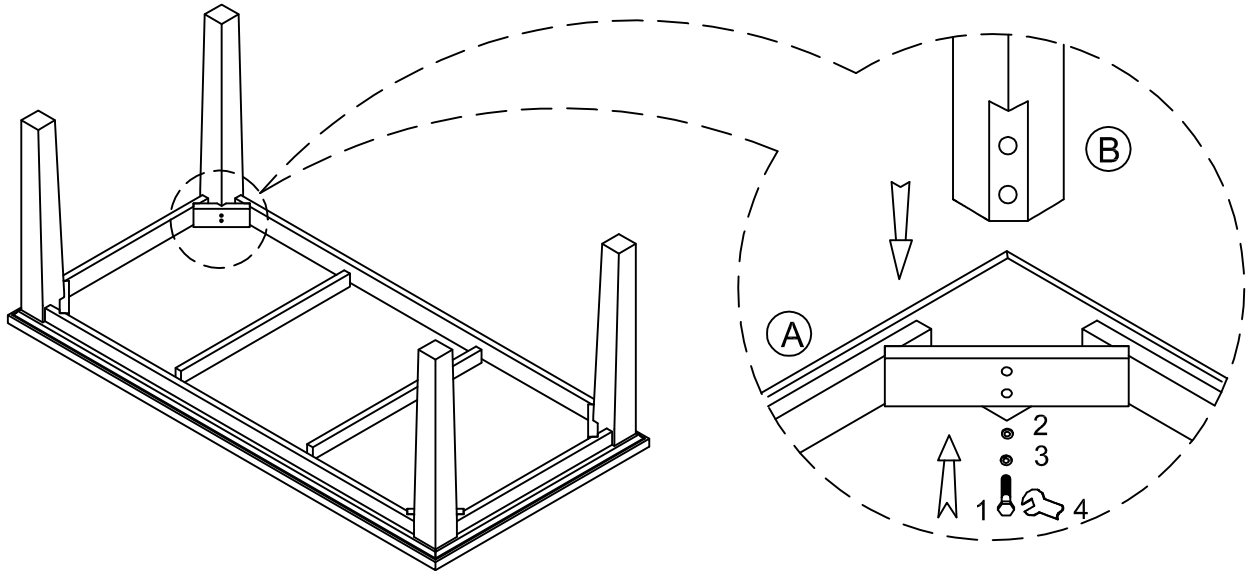
4 PCS

(A)



1 PC

1



2

