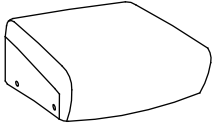

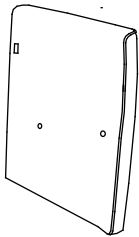
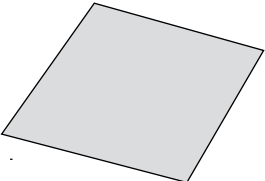








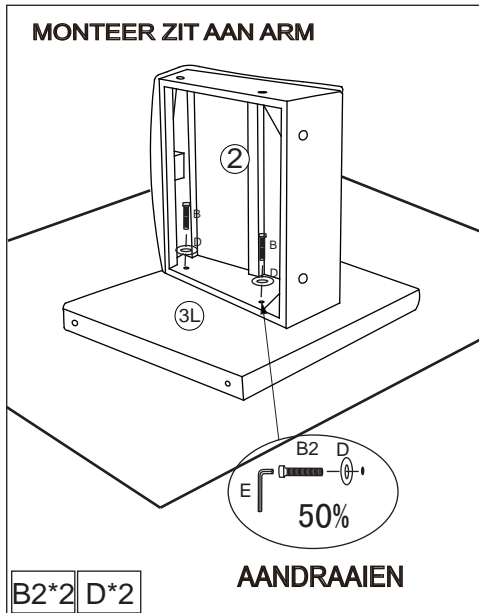
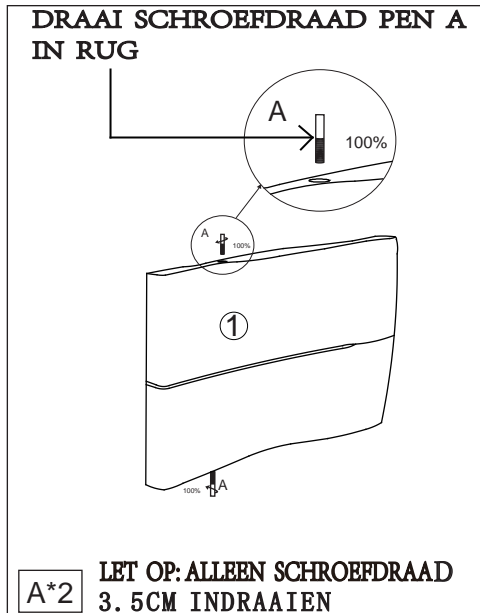
 ①x1PC	 ②x1PC	 ③x1PC	 ④x1PC
 ④x1PC	 ⑤x4PCS		

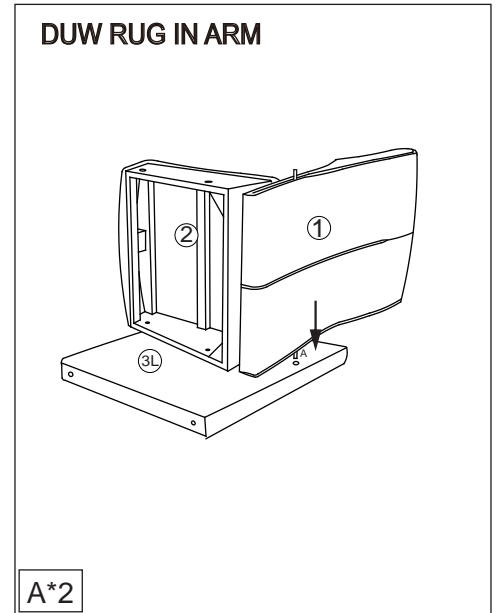
Ax2PCS 	B1x2PCS  Ø8x55	B2x4PCS  Ø8x45	Cx4 PCS 	Dx10PCS 	Ex1 PC 	Fx1 PC 
---	---	---	--	---	---	---



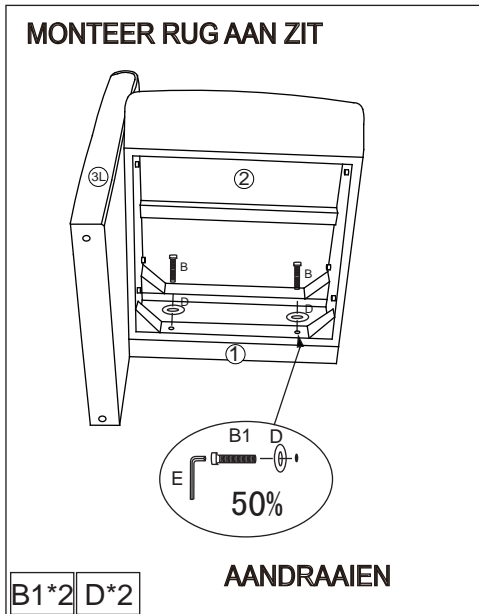
1



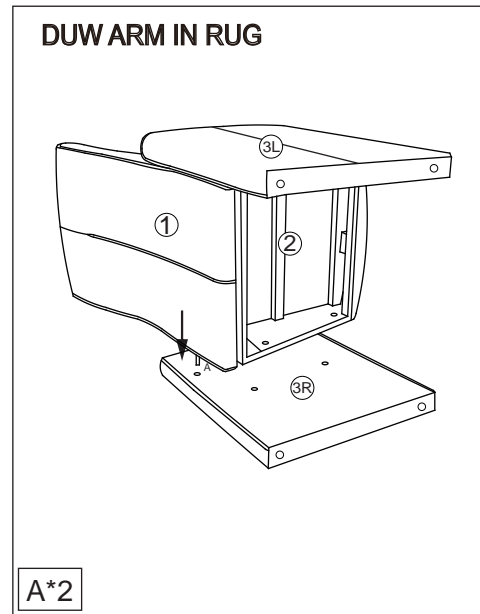
2



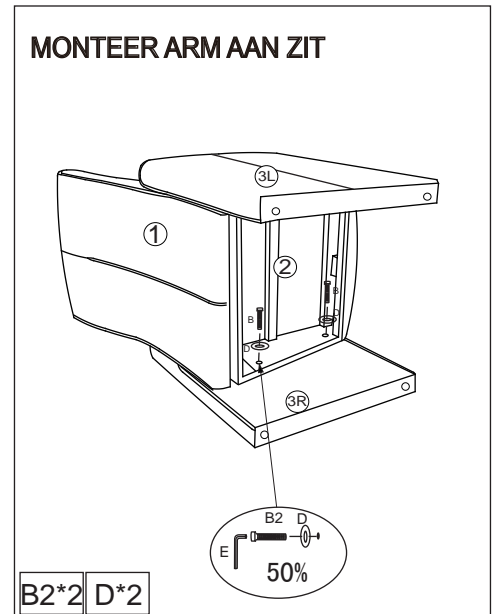
3



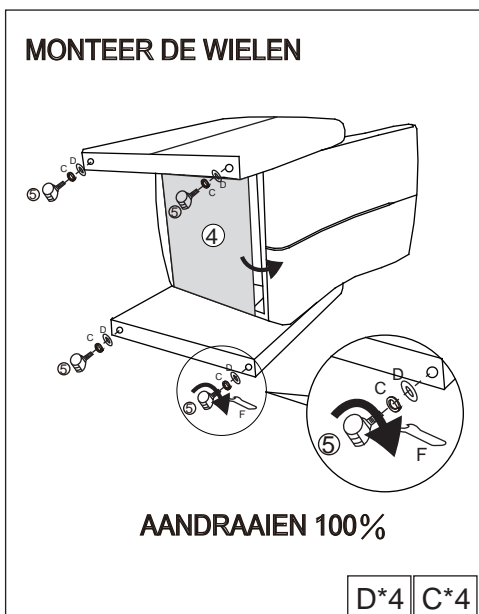
4



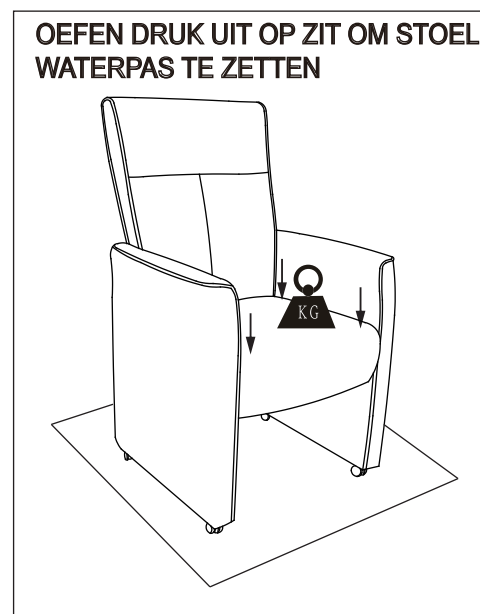
5



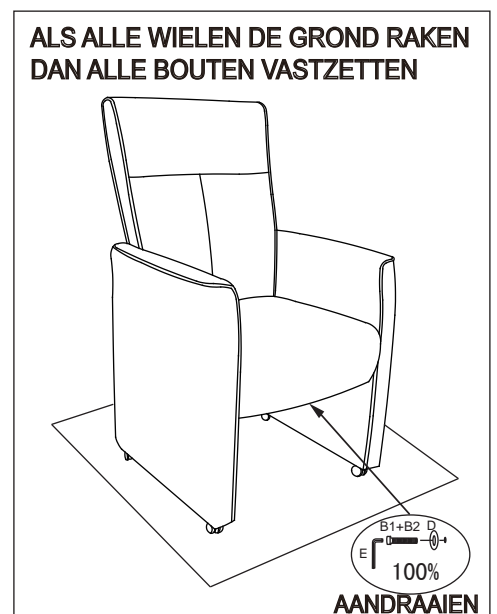
6



7



8



9